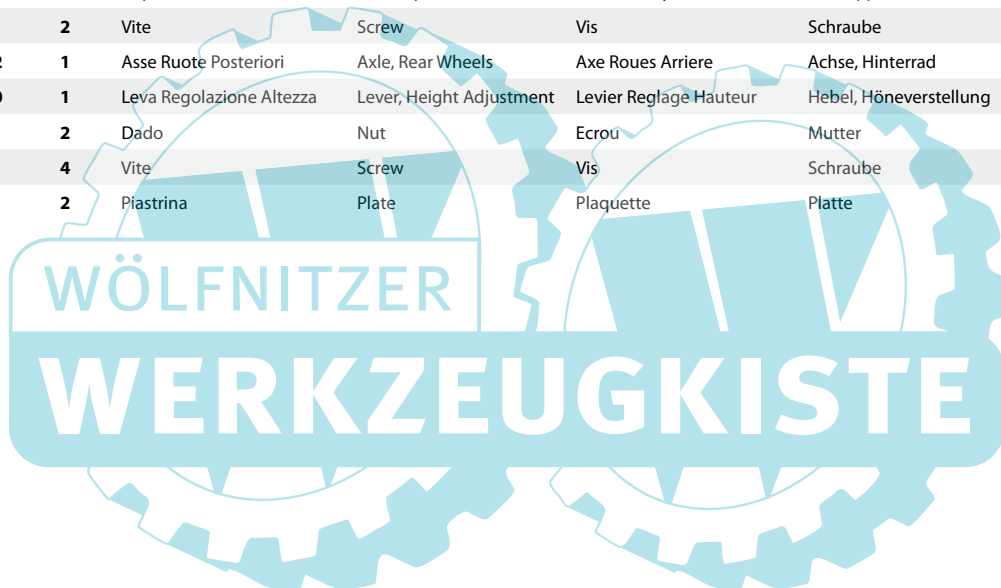


| POS. | CODE | Q.TY | DESCRIZIONE | DESCRIPTION | DESCRIPTION | BESCHREIBUNG | REMARKS |
|------|-------------|------|-----------------------------|------------------------|-------------------------------|--------------------------|-------------------|
| 1 | 381003690/0 | 1 | Chassis Rosso | Deck Red | Châssis Rouge | Gehäuse Rot | |
| 2 | 22171002/0 | 2 | Distanziale | Spacer | Entretoise | Distanzring | |
| 3 | 381002861/0 | 1 | Asse Ruote Anteriori | Axle, Front Wheels | Axe Roues Avant | Achse, Vorderrad | |
| 4 | 12436050/0 | 2 | Piastrina | Plate | Plaquette | Plättchen | |
| 5 | 381001999/0 | 1 | Asta Comando Regol. Altezza | Rod, Height Adjustment | Tige Commande Reglage Hauteur | Stange, Höhenverstellung | |
| 6 | 12530150/0 | 2 | Rosetta | Washer | Rondelle | Scheibe | |
| 7 | 22122200/0 | 4 | Cuscinetto | Bearing | Coussinet | Lager | |
| 8 | 81007343/0 | 2 | Ruota Ø 210 | Wheel Ø 210 | Roue Ø 210 | Rad Ø 210 | |
| 9 | 12521350/0 | 2 | Rosetta | Washer | Rondelle | Scheibe | |
| 10 | 12155000/0 | 2 | Dado | Nut | Ecrou | Mutter | |
| 11 | - | 2 | Coprimozzo | Hub Cap | Couvre-Moyeu | Radkappe | (See Enclosure 2) |
| 12 | 22517702/1 | 1 | Fulcro Parasassi | Stone Guard Fulcrum | Point D'Appui Parepierres | Drehpunkt Prallblech | |
| 13 | 22778427/0 | 1 | Staffa Dx | Bracket, R | Bride D | Pratze, Rechte | |
| 14 | 22869717/0 | 1 | Distanziale | Spacer | Entretoise | Distanzring | |
| 15 | 22671653/0 | 8 | Rosetta | Washer | Rondelle | Scheibe | |

| POS. | CODE | Q.TY | DESCRIZIONE | DESCRIPTION | DESCRIPTION | BESCHREIBUNG | REMARKS |
|------|-------------|------|-----------------------------|---------------------------|-------------------------|-------------------------|-------------------|
| 16 | 22778429/0 | 1 | Staffa Sx | Bracket, L | Bride G | Pratze, Linke | |
| 17 | 12155000/0 | 4 | Dado | Nut | Ecrou | Mutter | |
| 18 | 18203854/0 | 4 | Cappuccio | Protection | Capuchon | Stecker | |
| 19 | 12793301/0 | 2 | Vite | Screw | Vis | Schraube | |
| 20 | 22517860/0 | 1 | Perno | Pin | Pivot | Bolzen | |
| 21 | 12604899/0 | 2 | Fissatore A Corona | Crown Fastener | Fixateur A Couronne | Kronescheibe | |
| 22 | 12792611/0 | 3 | Vite | Screw | Vis | Schraube | |
| 23 | 322735579/1 | 1 | Settore Regolazione Altezza | Sector, Height Adjustment | Secteur Reglage Hauteur | Sektor, Höheverstellung | |
| 24 | 12523060/0 | 3 | Rosetta | Washer | Rondelle | Scheibe | |
| 25 | 12155000/0 | 3 | Dado | Nut | Ecrou | Mutter | |
| 26 | 22675100/0 | 2 | Rosetta | Washer | Rondelle | Scheibe | |
| 27 | 22600160/0 | 2 | Prot. Ruote | Protection, Wheel | Protection Roue | Schütz | |
| 29 | 22122200/0 | 4 | Cuscinetto | Bearing | Coussinet | Lager | |
| 30 | 81007380/0 | 2 | Ruota Ø 300 | Wheel Ø 300 | Roue Ø 300 | Rad Ø 300 | |
| 31 | 12521350/0 | 4 | Rosetta | Washer | Rondelle | Scheibe | |
| 32 | 12155000/0 | 2 | Dado | Nut | Ecrou | Mutter | |
| 33 | - | 2 | Coprizzo | Hub Cap | Couvre-Moyeu | Radkappe | (See Enclosure 3) |
| 34 | 12789000/0 | 2 | Vite | Screw | Vis | Schraube | |
| 35 | 381002853/2 | 1 | Asse Ruote Posteriori | Axle, Rear Wheels | Axe Roues Arriere | Achse, Hinterrad | |
| 36 | 381003326/0 | 1 | Leva Regolazione Altezza | Lever, Height Adjustment | Levier Reglage Hauteur | Hebel, Höneverstellung | |
| 37 | 12154330/0 | 2 | Dado | Nut | Ecrou | Mutter | |
| 38 | 12731350/0 | 4 | Vite | Screw | Vis | Schraube | |
| 39 | 22545152/0 | 2 | Piastrina | Plate | Plaquette | Platte | |



TD

www.tdl-satzteil-service.de

2009

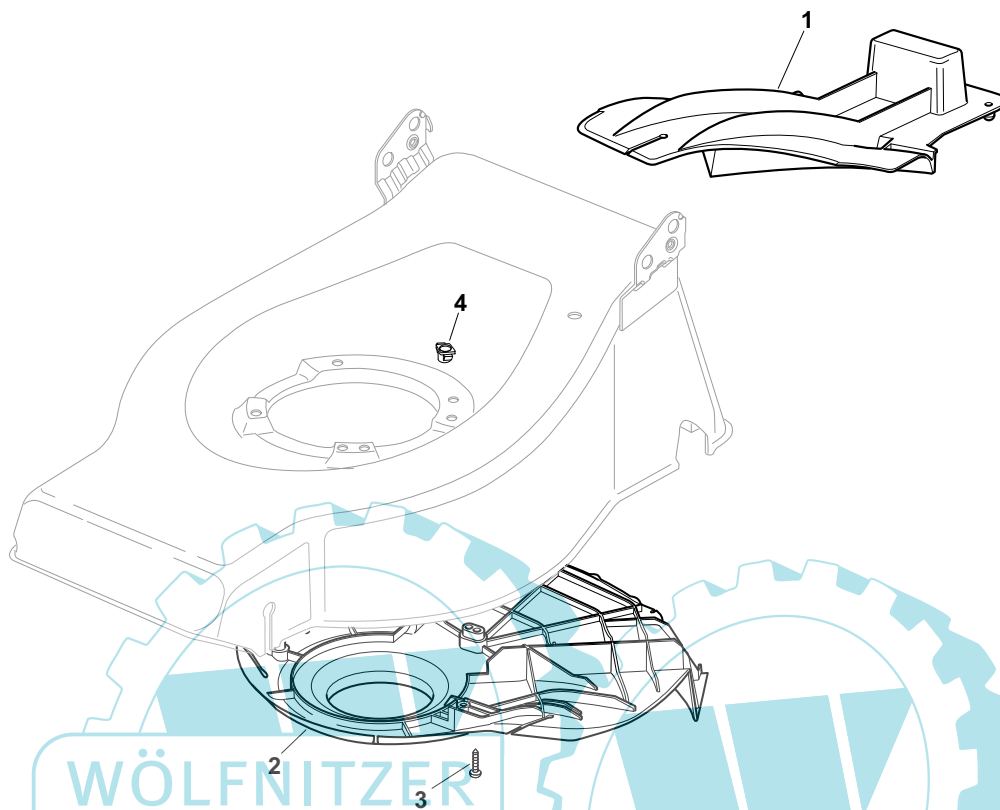
E13004.0

430

480

480 W

1 / 1



| POS. | CODE | Q.TY | DESCRIZIONE | DESCRIPTION | DESCRIPTION | BESCHREIBUNG | REMARKS |
|------|------------|------|------------------|---------------|-------------|---------------|---------|
| 1 | 22140223/0 | 1 | Deflettore | Deflector | Deflecteur | Deflektor | 480 |
| 2 | 22060199/0 | 1 | Carter | Protection | Protection | Schutz | 480 |
| 3 | 12728530/0 | 3 | Vite | Screw | Vis | Schraube | |
| 4 | 22291150/0 | 1 | Inserto In Gomma | Rubber Insert | Insert De | Gummi Einsatz | |

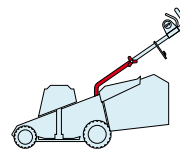
TD

www.td.it/td-teil-service.de

430

480

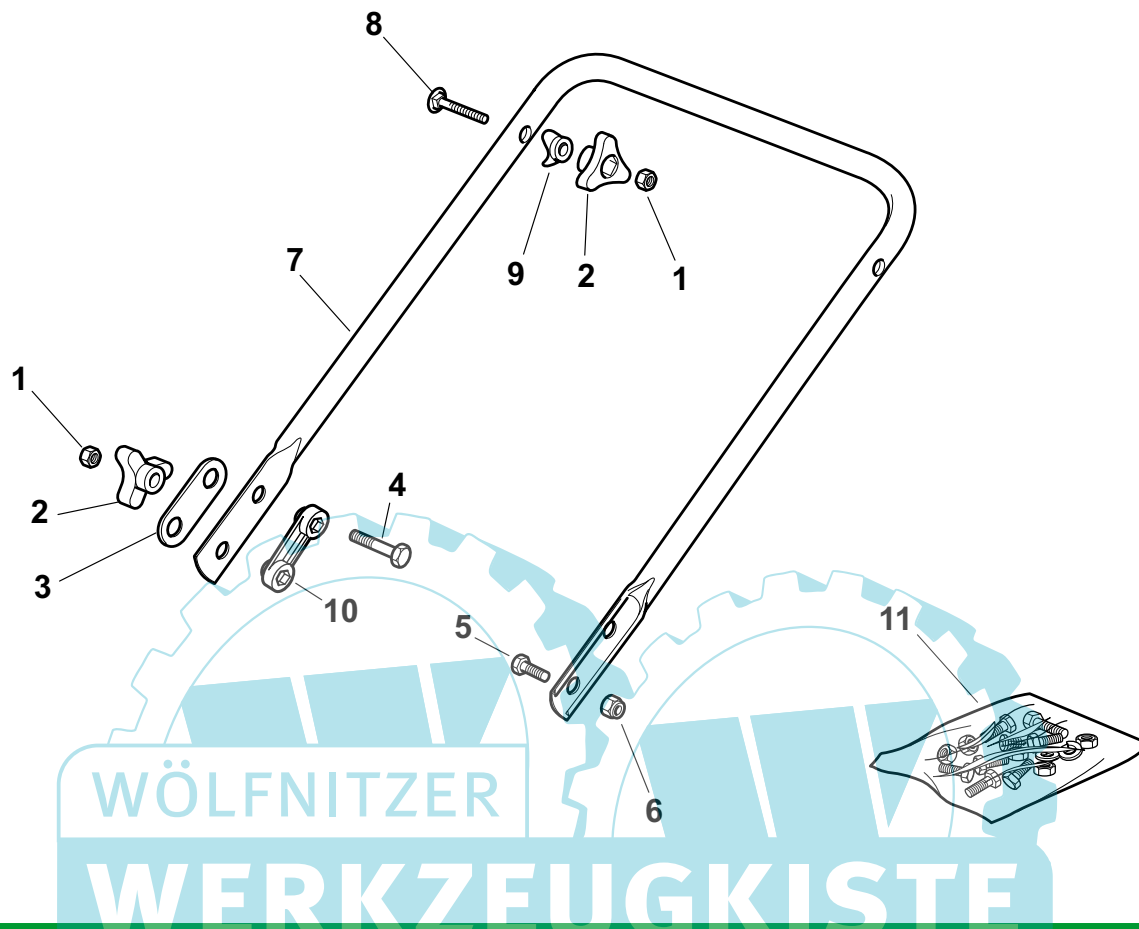
480 W



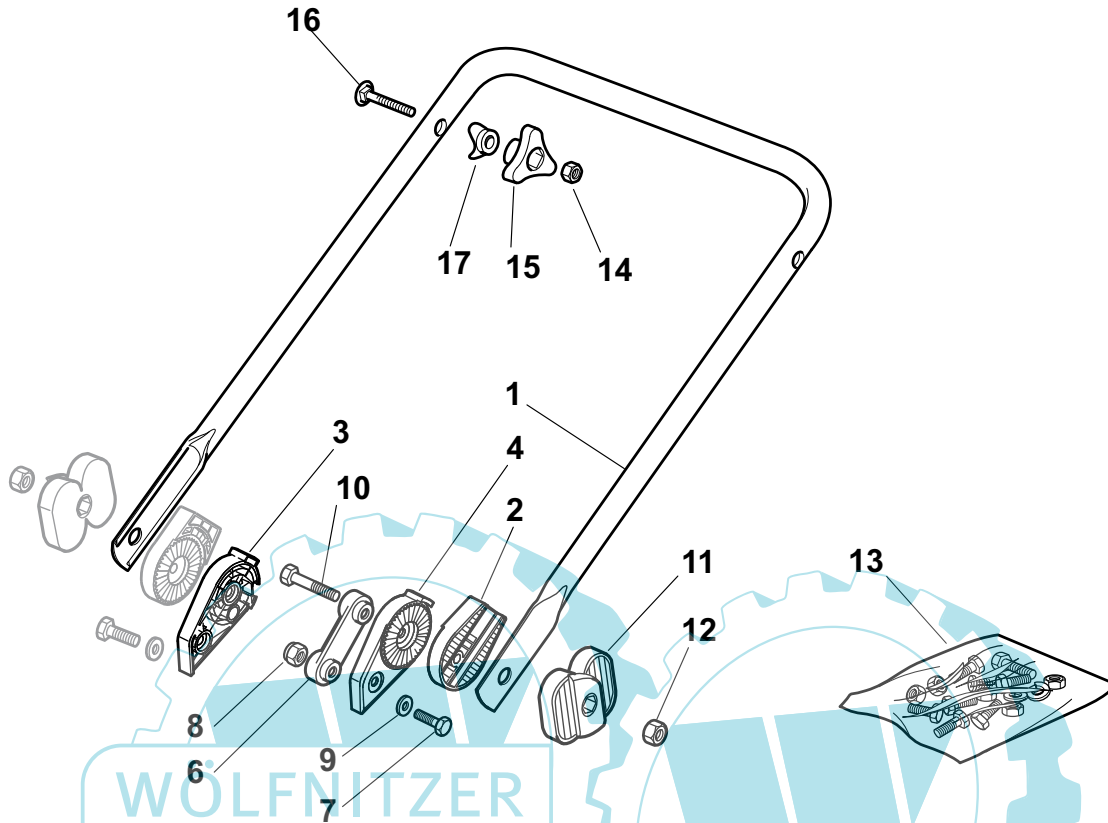
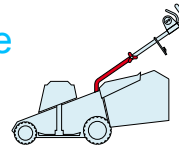
2009

E13005.0

1 / 1



| POS. | CODE | Q.TY | DESCRIZIONE | DESCRIPTION | DESCRIPTION | BESCHREIBUNG | REMARKS |
|------|------------|------|-------------------|--------------------|------------------------------|-----------------|---------|
| 1 | 12293200/0 | 4 | Dado | Nut | Ecrou | Mutter | |
| 2 | 22399900/0 | 4 | Manopolina | Knob | Poignée | Griff | |
| 3 | 22551574/0 | 2 | Piastrina Esterna | Plate, Outside | Plaquette Externe | Platte, Äußere | |
| 4 | 12691115/0 | 2 | Vite | Screw | Vis | Schraube | |
| 5 | 12793300/0 | 2 | Vite | Screw | Vis | Schraube | |
| 6 | 12155000/0 | 2 | Dado | Nut | Ecrou | Mutter | |
| 7 | 81006512/0 | 1 | Manico, Parte Inf | Handle, Lower Part | Mancheron, Partie Inférieure | Holm, Unterteil | |
| 8 | 12819201/0 | 2 | Vite | Screw | Vis | Schraube | |
| 9 | 22680006/1 | 2 | Rosetta | Washer | Rondelle | Scheibe | |
| 10 | 22551575/0 | 2 | Piastrina Interna | Plate, Inside | Plaquette Interne | Platte, Innere | |
| 11 | 81008596/1 | 1 | Dotazione Viteria | Outfit, Screws | Dotation Visserie | Satz, Schrauben | |



| POS. | CODE | Q.TY | DESCRIZIONE | DESCRIPTION | DESCRIPTION | BESCHREIBUNG | REMARKS |
|------|------------|------|---------------------|---------------------|------------------------------|------------------|---------|
| 1 | 81006532/0 | 1 | Manico, Parte Inf | Handle, Lower Part | Mancheron, Partie Inferieure | Holm, Unterteil | |
| 2 | 22785081/1 | 2 | Supporto Esterno | Support, External | Support Externe | Halter, Außere | |
| 3 | 22785082/0 | 1 | Supporto Interno Dx | Support, R Internal | Support Interne D | Halter, Innere R | |
| 4 | 22785083/1 | 1 | Supporto Interno Sx | Support, L Internal | Support Interne G | Halter, Innere L | |
| 6 | 22551575/0 | 2 | Piastrina Interna | Plate, Inside | Plaquette Interne | Platte, Innere | |
| 7 | 12793301/0 | 2 | Vite | Screw | Vis | Schraube | |
| 8 | 12155000/0 | 2 | Dado | Nut | Ecrou | Mutter | |
| 9 | 12521350/0 | 2 | Rosetta | Washer | Rondelle | Scheibe | |
| 10 | 12691810/0 | 2 | Vite | Screw | Vis | Schraube | |
| 11 | 22399803/0 | 2 | Manopolina | Knob | Poignée | Griff | |
| 12 | 12293202/0 | 2 | Dado | Nut | Ecrou | Mutter | |
| 13 | 81008623/1 | 1 | Dotazione Viteria | Outfit, Screws | Dotation Visserie | Satz, Schrauben | |
| 14 | 12293200/0 | 2 | Dado | Nut | Ecrou | Mutter | |
| 15 | 22399900/0 | 2 | Manopolina | Knob | Poignée | Griff | |
| 16 | 12819201/0 | 2 | Molla Guida | Spring | Ressort | Feder | |
| 17 | 22680006/1 | 2 | Rosetta | Washer | Rondelle | Scheibe | |

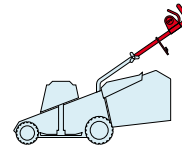
TD

www.td-teil-service.de

430

480

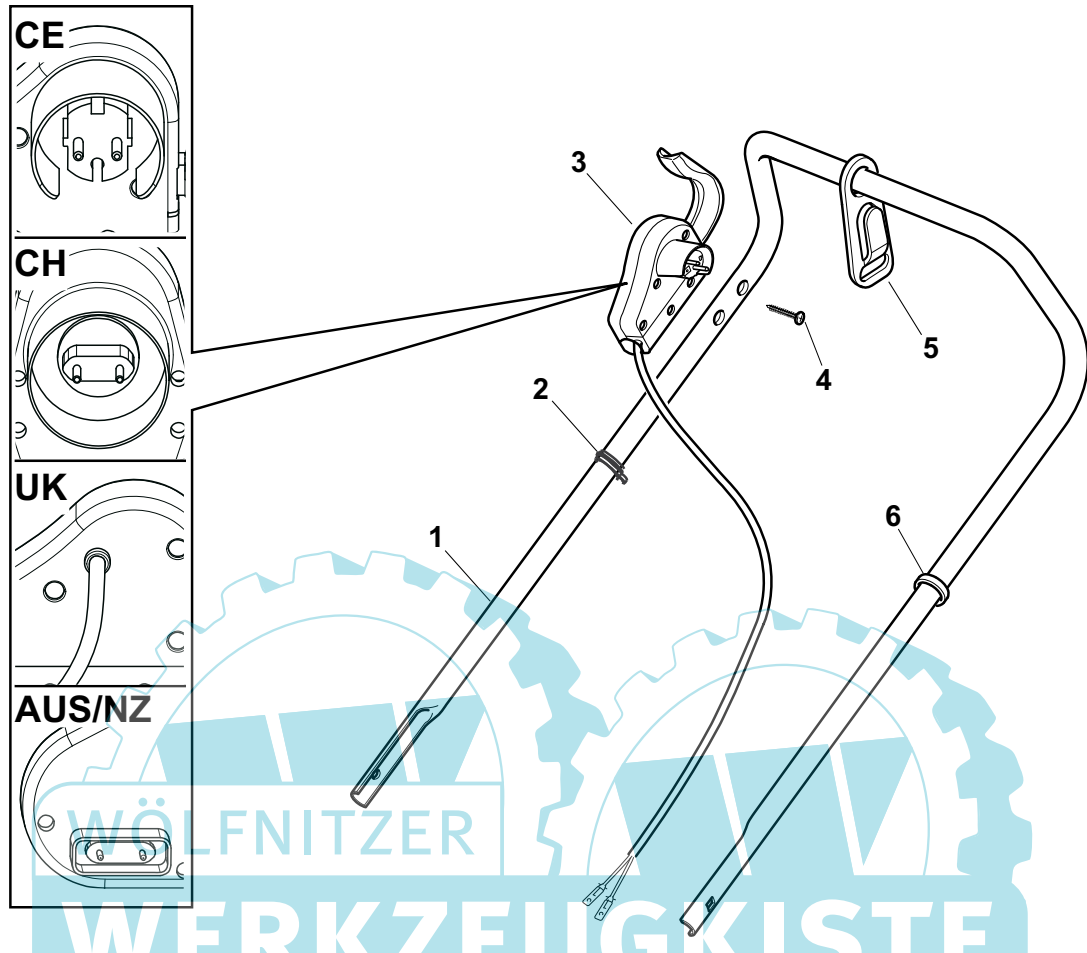
480 W



2009

E13007.0

1 / 1



| POS. | CODE | Q.TY | DESCRIZIONE | DESCRIPTION | DESCRIPTION | BESCHREIBUNG | REMARKS |
|------|------------|------|-------------------|--------------------|------------------------------|------------------|---------|
| 1 | 81007017/2 | 1 | Manico, Parte Sup | Handle, Upper Part | Mancheron, Partie Supérieure | Holm, Oberteil | |
| 2 | 22192000/1 | 2 | Fascetta | Anchor Clamp | Collier Ancre | Bowdenzughalter | |
| 3 | 81600500/1 | 1 | Salvatore | Dead Hand Switch | Int. Main Morte | Tot Manschalter | CE |
| 3 | 81600501/1 | 1 | Salvatore | Dead Hand Switch | Int. Main Morte | Tot Manschalter | CH |
| 3 | 81600502/1 | 1 | Salvatore | Dead Hand Switch | Int. Main Morte | Tot Manschalter | UK |
| 3 | 18710628/0 | 1 | Salvatore | Dead Hand Switch | Int. Main Morte | Tot Manschalter | AUS/NZ |
| 4 | 12728701/0 | 2 | Vite | Screw | Vis | Schraube | |
| 5 | 22195101/4 | 1 | Fermacavo | Fairlead | Fixation Cable | Kabelbefestigung | |
| 6 | 22192151/0 | 1 | Fermacavo | Fairlead | Fixation Cable | Kabelbefestigung | |

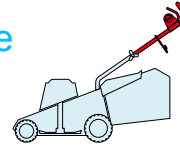
TD

www.td-satzteil-service.de

430

480

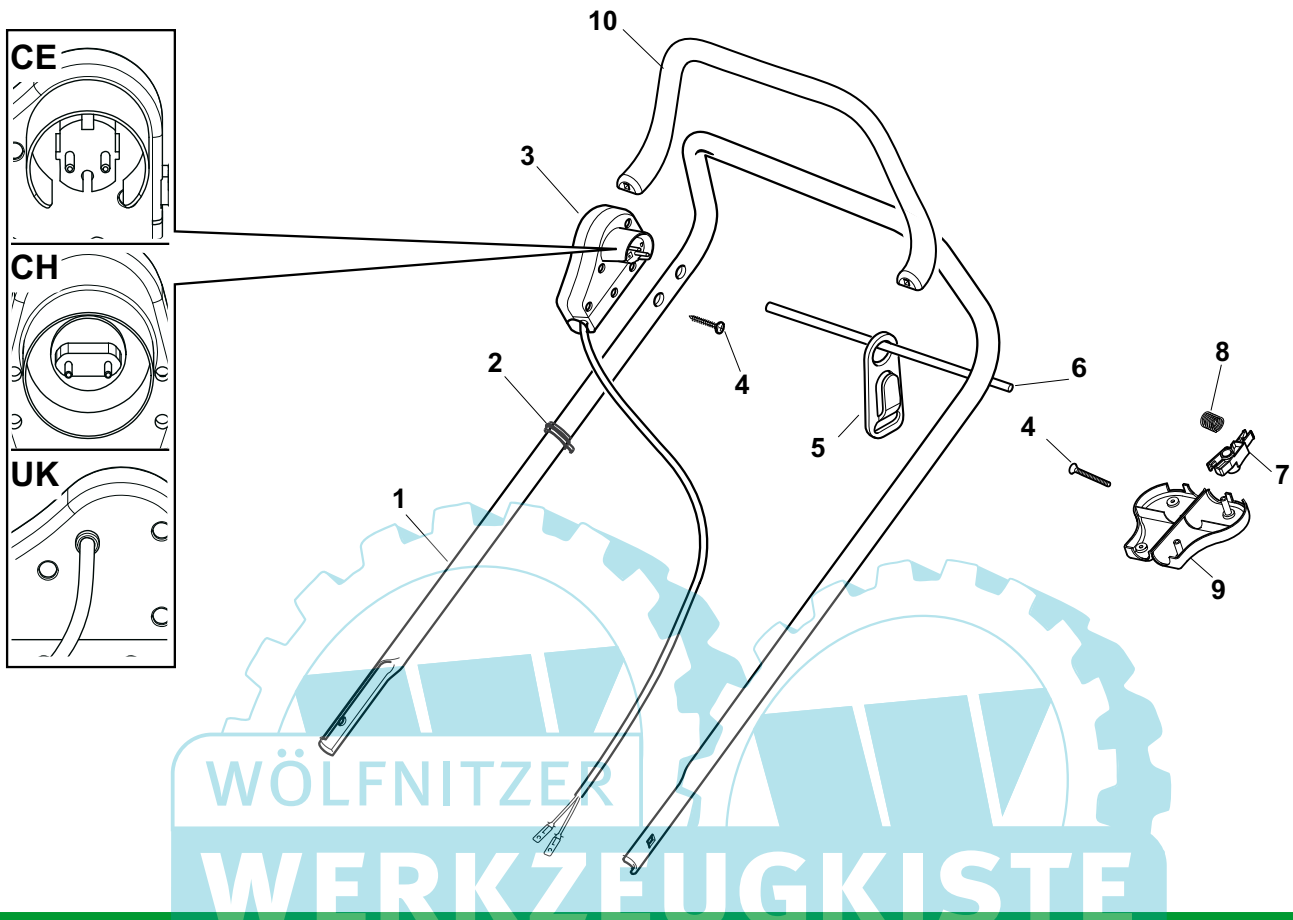
480 W



2009

E13008.0

1 / 1



| POS. | CODE | Q.TY | DESCRIZIONE | DESCRIPTION | DESCRIPTION | BESCHREIBUNG | REMARKS |
|------|-------------|------|---------------------------|-----------------------|------------------------------|---------------------|---------|
| 1 | 81007017/2 | 1 | Manico, Parte Sup | Handle, Upper Part | Mancheron, Partie Supérieure | Holm, Oberteil | |
| 2 | 22192000/1 | 2 | Fascetta | Anchor Clamp | Collier Ancre | Bowdenzughalter | |
| 3 | 381600503/2 | 1 | Salvatore | Dead Hand Switch | Int. Main Morte | Tot Manschalter | CE |
| 3 | 381600505/2 | 1 | Salvatore | Dead Hand Switch | Int. Main Morte | Tot Manschalter | UK |
| 3 | 381600504/2 | 1 | Salvatore | Dead Hand Switch | Int. Main Morte | Tot Manschalter | CH |
| 4 | 12728701/0 | 4 | Vite | Screw | Vis | Schraube | |
| 5 | 22195101/4 | 1 | Fermacavo | Fairlead | Fixation Cable | Kabelbefestigung | |
| 6 | 22010251/0 | 1 | Asta Aggancio Fermacavo | Rod, Fairlead Bearing | Tige Support Serrecable | Stange, Kabelhalter | |
| 7 | 322230350/1 | 1 | Fulcro | Fulcrum Pin | Point D'Appui | Gelenkpunkt | |
| 8 | 22450115/0 | 1 | Molla | Spring | Ressort | Feder | |
| 9 | 22785144/0 | 1 | Supporto | Support | Support | Halter | |
| 10 | 322322881/1 | 1 | Leva Freno Motore, Nero | Lever, Engine Brake | Levier Frein Moteur | Hebel, Motorbremse | |
| 10 | 322322885/1 | 1 | Leva Freno Motore, Giallo | Lever, Engine Brake | Levier Frein Moteur | Hebel, Motorbremse | |

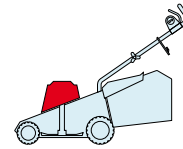
TD

www.td-teil-service.de

430

480

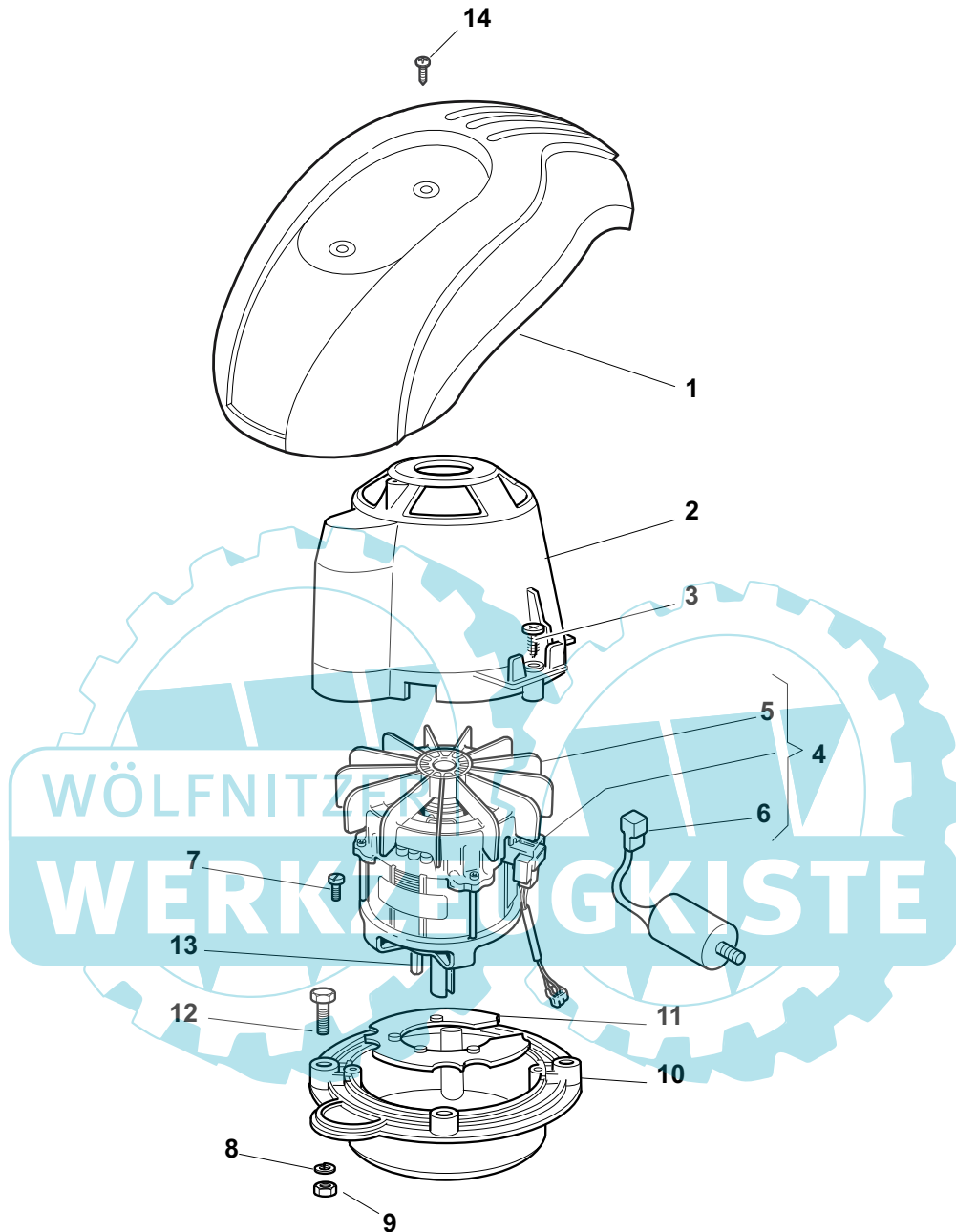
480 W



2009

E13009.0

1 / 1



| POS. | CODE | Q.TY | DESCRIZIONE | DESCRIPTION | DESCRIPTION | BESCHREIBUNG | REMARKS |
|------|------------|------|-------------------|--------------------|------------------------------|------------------|---------|
| 1 | 81007017/2 | 1 | Manico, Parte Sup | Handle, Upper Part | Mancheron, Partie Supérieure | Holm, Oberteil | |
| 2 | 22192000/1 | 2 | Fascetta | Anchor Clamp | Collier Ancre | Bowdenzughalter | |
| 3 | 81600500/1 | 1 | Salvatore | Dead Hand Switch | Int. Main Morte | Tot Manschalter | CE |
| 3 | 81600501/1 | 1 | Salvatore | Dead Hand Switch | Int. Main Morte | Tot Manschalter | CH |
| 3 | 81600502/1 | 1 | Salvatore | Dead Hand Switch | Int. Main Morte | Tot Manschalter | UK |
| 3 | 18710628/0 | 1 | Salvatore | Dead Hand Switch | Int. Main Morte | Tot Manschalter | AUS/NZ |
| 4 | 12728701/0 | 2 | Vite | Screw | Vis | Schraube | |
| 5 | 22195101/4 | 1 | Fermacavo | Fairlead | Fixation Cable | Kabelbefestigung | |
| 6 | 22192151/0 | 1 | Fermacavo | Fairlead | Fixation Cable | Kabelbefestigung | |

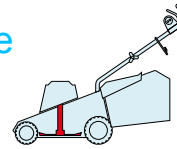
TD

www.td-satzteil-service.de

430

480

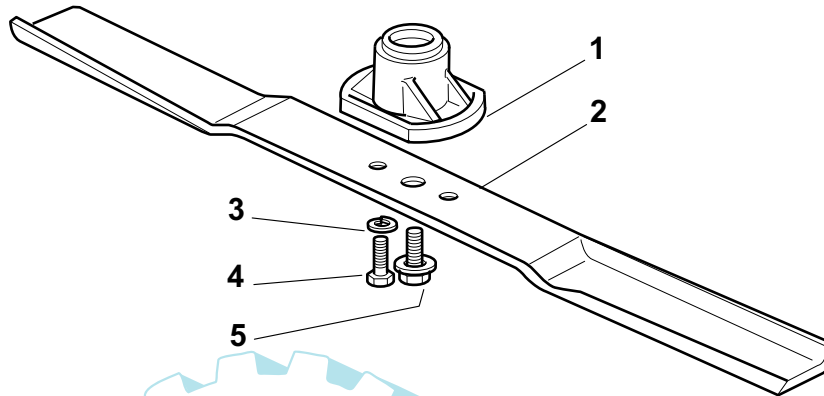
480 W



2009

E13010.0

1 / 1



WÖLFNITZER

WERKZEUGKISTE

| POS. | CODE | Q.TY | DESCRIZIONE | DESCRIPTION | DESCRIPTION | BESCHREIBUNG | REMARKS |
|------|-------------|------|-------------------|----------------|---------------|-----------------|---------|
| 1 | 322463186/3 | 1 | Mozzo | Hub | Moyeu | Halter | |
| 2 | 81004341/3 | 1 | Coltello Standard | Blade Standard | Lame Standard | Messer Standard | 430 |
| 2 | 81004396/0 | 1 | Coltello Alettato | Blade Winged | Lame Ailettée | Messer Flügel | 430 |
| 2 | 81004346/3 | 1 | Coltello Standard | Blade Standard | Lame Standard | Messer Standard | 480 |
| 2 | 81004397/0 | 1 | Coltello Alettato | Blade Winged | Lame Ailettée | Messer Flügel | 480 |
| 3 | 12583500/0 | 2 | Grower | Grower | Grower | Federring | |
| 4 | 12793101/0 | 2 | Vite | Screw | Vis | Schraube | |
| 5 | 81004352/0 | 1 | Vite | Screw | Vis | Schraube | |

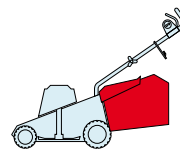
TD

www.td-teil-service.de

430

480

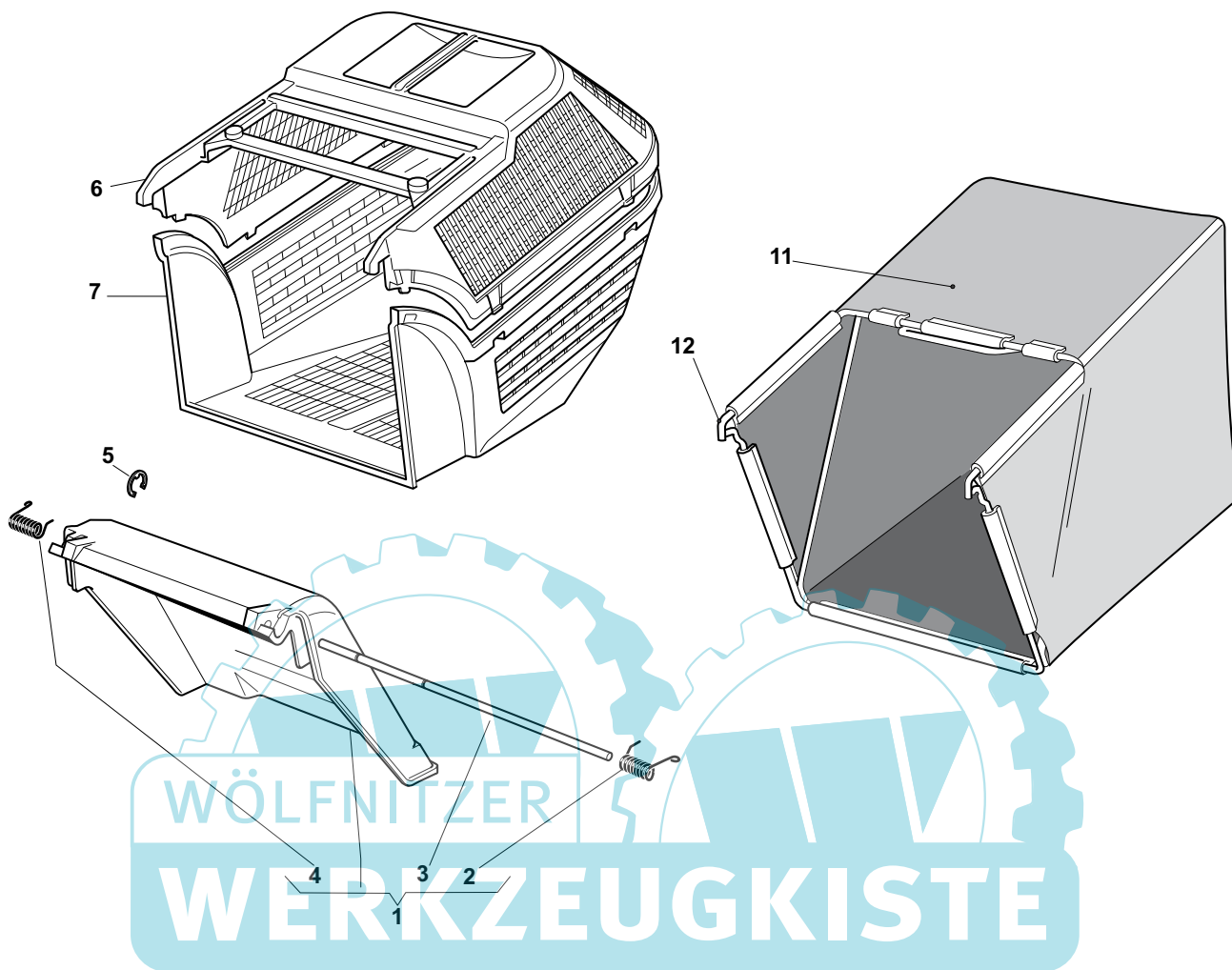
480 W



2009

E13011.0

1 / 1



| POS. | CODE | Q.TY | DESCRIZIONE | DESCRIPTION | DESCRIPTION | BESCHREIBUNG | REMARKS |
|------|-------------|------|------------------|------------------|------------------------|-----------------|---------|
| 1 | 381007308/2 | 1 | Parasassi | Stone-Guard | Pare-Pierres | Prallblech | |
| 2 | 22450420/1 | 1 | Molla Sx | L Spring | Ressort G | Linke Feder | |
| 3 | 22517906/1 | 1 | Perno | Pin | Pivot | Bolzen | |
| 4 | 22450410/1 | 1 | Molla Dx | R Spring | Ressort D | Rechte Feder | |
| 5 | 12000930/0 | 1 | Anello Elastico | Snap Ring | Anneau Ressort | Sprengring | |
| 6 | 22486073/0 | 1 | Sacco, Parte Sup | Grass-Box, Upper | Sac, Partie Superieure | Korb, Oberteil | |
| 7 | 22486074/0 | 1 | Sacco, Parte Inf | Grass-Box, Lower | Sac, Partie Inferieure | Korb, Unterteil | |
| 11 | 81002105/2 | 1 | Sacco, Tela | Box, Fabric | Sac, Toile | Sack, Tuck | |
| 12 | 81006418/0 | 1 | Telaio Sacco | Chassis Box | Châssis Bac | Rahmen Sack | |

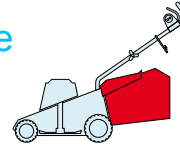
TD

www.td-satzteil-service.de

430

480

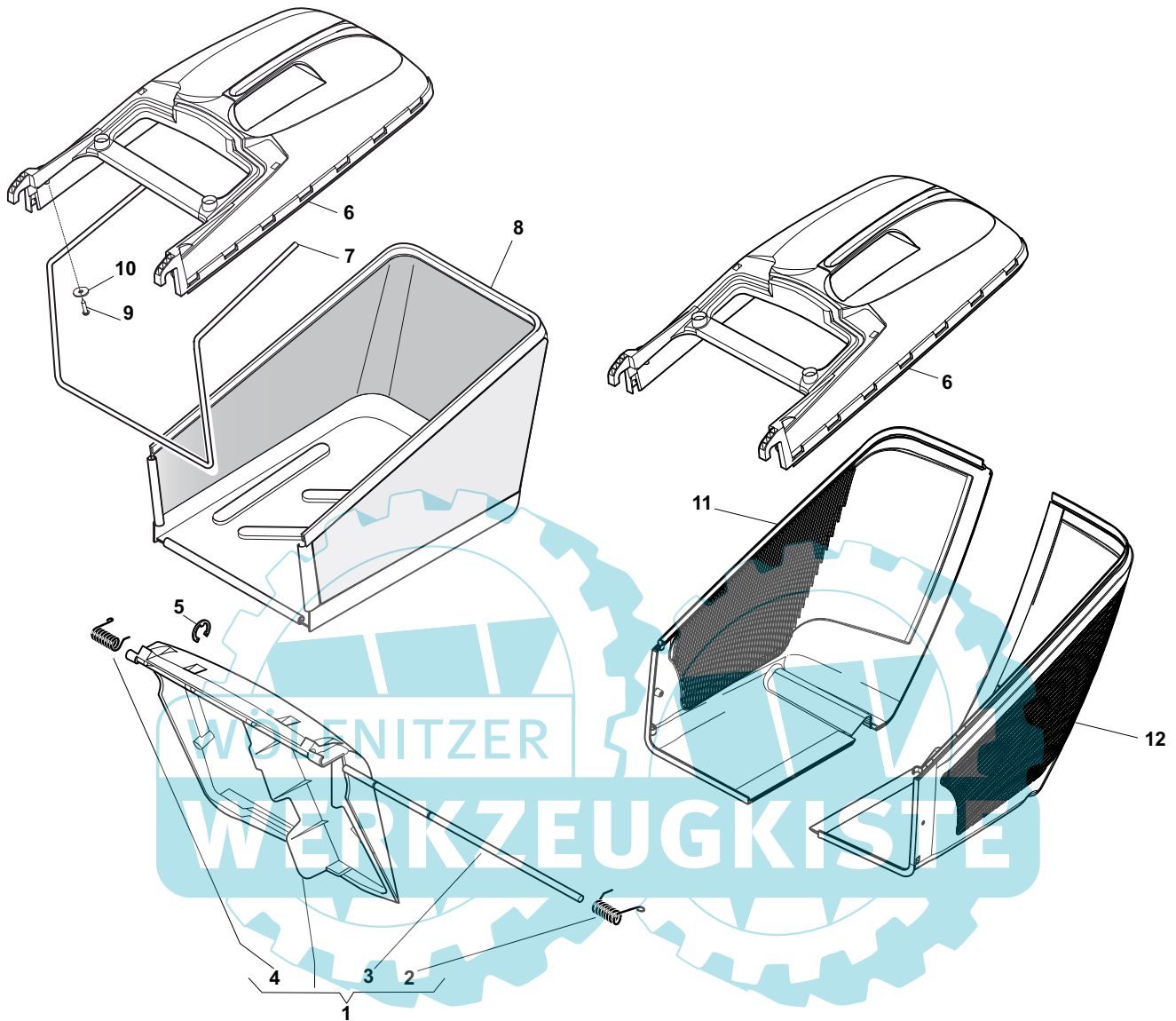
480 W



2009

E13012.0

1 / 1



| POS. | CODE | Q.TY | DESCRIZIONE | DESCRIPTION | DESCRIPTION | BESCHREIBUNG | REMARKS |
|------|-------------|------|---------------------|--------------------|--------------------------|-------------------|---------|
| 1 | 381008021/1 | 1 | Parasassi | Stone-Guard | Pare-Pierres | Prallblech | |
| 2 | 22450420/1 | 1 | Molla Sx | L Spring | Ressort G | Linke Feder | |
| 3 | 22517906/1 | 1 | Perno | Pin | Pivot | Bolzen | |
| 4 | 22450410/1 | 1 | Molla Dx | R Spring | Ressort D | Rechte Feder | |
| 5 | 12000930/0 | 1 | Anello Elastico | Snap Ring | Anneau Ressort | Sprengring | |
| 6 | 22486101/0 | 1 | Sacco, Parte Sup | Grass-Box, Upper | Sac, Partie | Korb, Oberteil | |
| 7 | 22608525/0 | 1 | Rinforzo Inf | Stiffening Lower | Réinforcement Inf | Verstärkung | |
| 8 | 81002211/0 | 1 | Sacco, Tela | Box, Fabric | Sac, Toile | Sack, Tuck | |
| 9 | 12728680/0 | 2 | Vite | Screw | Vis | Schraube | |
| 10 | 12523050/0 | 2 | Rosetta | Washer | Rondelle | Scheibe | |
| 11 | 322486150/1 | 1 | Sacco, Parte Inf Dx | Grass-Box, R Lower | Sac, Partie Inferieure D | Korb, R Unterteil | |
| 12 | 322486151/1 | 1 | Sacco, Parte Inf Sx | Grass-Box, L Lower | Sac, Partie Inferieure G | Korb, L Unterteil | |